

Electric Flat-Clinch Stapler

100V-240V AC 50/60Hz 0.45A

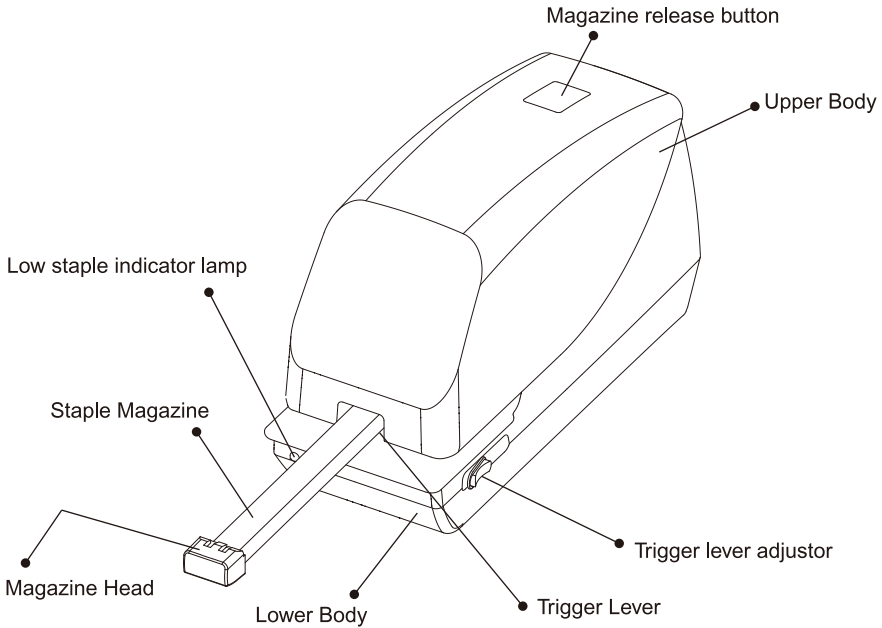
User's Guide

IMPORTANT SAFETY INSTRUCTIONS

When using this unit, basic safety precautions should always be followed to reduce the risk of fire, electric shock, or personal injury.

1. Do not disassemble or attempt to repair this stapler by yourself.
2. Do not abuse the electric cord and plug.
3. Observe the ratings of power cord or outlet.
4. The machine is designed for 220V-240V.
5. Do not touch the AC plug with wet hands.
6. Do not expose the stapler to water.
7. Clean AC plug from dust periodically. Unplug before cleaning.
8. Be careful not to place fingers under the stapling mechanism.
9. Keep this stapler out of reach of children.
10. Do not expose the stapler to excessive heat.
11. Do not use the stapler near flammable substances.
12. Hold the AC plug to unplug the stapler from the outlet.
13. Unplug the stapler from the outlet when not in use or in case of power failure.
14. The socket-outlet shall be installed near the equipment and shall be easily accessible.
15. For safety, when release magazine please keep safety distance 20 cm at least.
16. Once overheat the machine will shut down automatically.

PARTS IDENTIFICATION



TROUBLE SHOOTING

CONDITION	CAUSE	COUNTERMEASURE
Inoperative even if the papers are inserted.	AC Cord is not plugged to outlet.	➤ Plug the AC cord firmly to outlet.
Does not staple	Out of staples. Staples jam.	➤ Load staples. ➤ unplug power cord to clear channel of staples. And turn on again .

PRECAUTIONS

This stapler is designed to be used primarily in an office environment.
 Do not use the stapler for materials other than paper.
 Do not attempt blank stapling (stapling without inserting paper) or double stapling (Stapling over a staple)
 Do not use the staples as shown below or staples which do not fit the staple magazine.



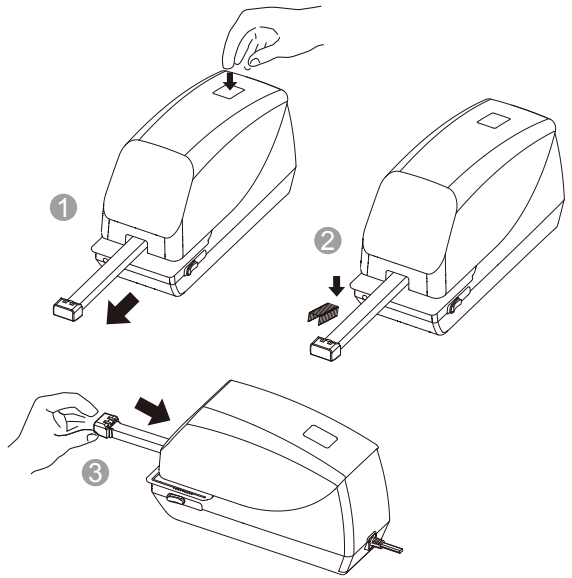
Do not use the stapler for more than 65 sheets of 80 gsm paper at a time.
 When the stapler gets dusty or dirty. Please unplug the stapler from the outlet and use a dry cloth or a cloth dampened with a mild detergent to wipe it off. Do not use harsh cleaners or solvents, such as benzene or thinner.

INSTRUCTIONS FOR USE

Loading staples

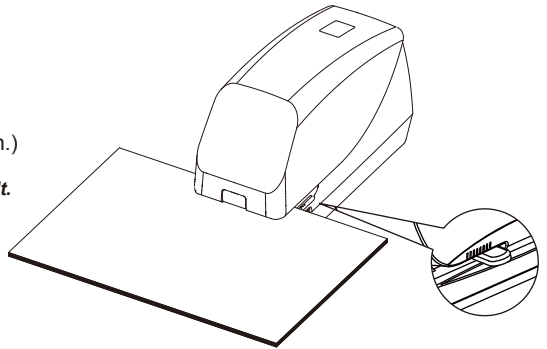
Unplug the stapler from the outlet before loading staples.

1. Press the magazine release button and the magazine will eject outward.
Operate stapler at a safe distance from your face.
2. Load the staples into the staple magazine. If needed, trim the staple bar to fit the magazine. Using poor quality or wrong size staples may damage the machine.
3. Push back magazine firmly until green light is on.



OPERATE STAPLING

1. Plug the stapler into the mains outlet.
(The stapler should always be unplugged before operating the trigger lever. Otherwise it may cause injury or mechanical malfunction.)
▲ NOTE: The upper body may become warm during use. This is normal and not a product fault.
2. Adjust stapling depth as desired, then place paper.
3. Reload the staples when the indicator lamp lights up.



LED LIGHT INDICATOR:

GREEN: Normal

RED : the magazine is not in the proper position

Flashing rapidly red light: out of order

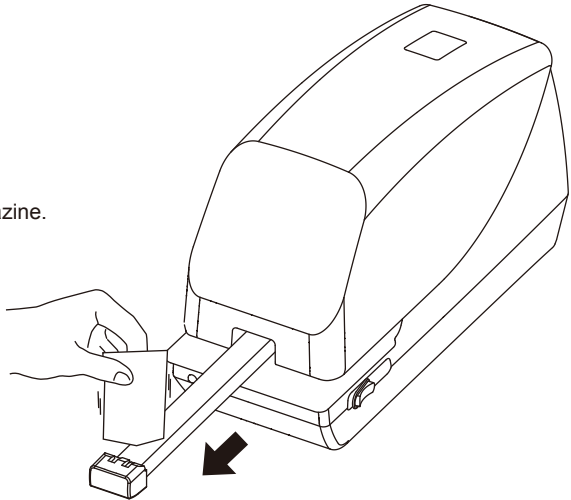
Flashing slowly red light: low staples warning

LED LIGHT



IF THE STAPLER JAMS

1. Unplug the stapler from the mains
2. Press the magazine release button and pull out the staple magazine in the direction of the arrow.
3. Remove the jammed staples.
Clean the inside of the staple magazine.



Do not dispose of electrical appliances as unsorted municipal waste, use separate collection facilities.

Contact your local government for information regarding the collection systems available. If electrical appliances are disposed of in landfills or dumps, hazardous substances can leak into the groundwater and get into the food chain, damaging your health and well-being. When replacing old appliances with new ones, the retailer is legally obligated to take back your old appliance for disposal at least for free of charge.

SPECIFICATIONS

Power Source	100V-240V AC 50/60 Hz
Operating Current	Approx. 0.45A
Staple Size	23/10 & 25A Staples
Magazine Capacity	100 STAPLES BY 23/10 125 STAPLES BY 25A
Stapling Capacity	Up to 65 Sheets of 80 gsm paper
Stapling Range	6mm~24mm
Length of Power Cord	Approx. 1.8m (6 ft)
Dimension (W X D X H)	Approx. 270 x 102 x 155 mm
Product Weight	Approx. 2.33 Kg (5.13lb.)

